

OPTIPAK VERTICAL COMPACTORS

3 Yard, 4 Yard, 6 Yard, & 8 Yard

Designed for restaurants, motels, grocery stores, or other locations where space is limited.

With a 30-second cycle time, the OptiPak compactor with a 4-in-1 head design is the only vertical compactor in the industry that can be changed to front, rear, left or right feed in the field. The adjustable legs allows the same stand to be used for 4, 6, or 8 yard containers.



Available with 3, 4, 6, or 8 yard containers.

- 3 yard front and rear load containers come with casters
- 4, 6, and 8 yard are front load containers
- 8 yard has a high feed height and is meant to be loaded from a dock or platform



Value Added Benefits

Improved efficiency	<ul style="list-style-type: none">• Quick cycle times improve employee efficiency; trash is compacted in just 30 seconds.
Increased performance	<ul style="list-style-type: none">• 18" of ram penetration and over 25,000 lbs. of ram force ensure maximum compaction.
Standard features included at no additional charge	<ul style="list-style-type: none">• 4-in-1 head can be changed to feed from front, rear, left side or right side.• Adjustable stand can be configured for 4, 6 and 8 yard containers.• Selectable operational modes reduce complexity and extend service life.• Full Container Light alerts you when trash is ready for pickup.• Electronic door/container interlock ensures safe operation.• Low temperature oil works well in hot or cold climates.*• Driver LED Light is illuminated when it is safe for the hauler to remove the container.• Built-in stops hold container in place to prevent movement during compaction.
Strong warranty	<ul style="list-style-type: none">• 1-1-1 warranty (1-year structural, 1-year parts and 1-year labor).

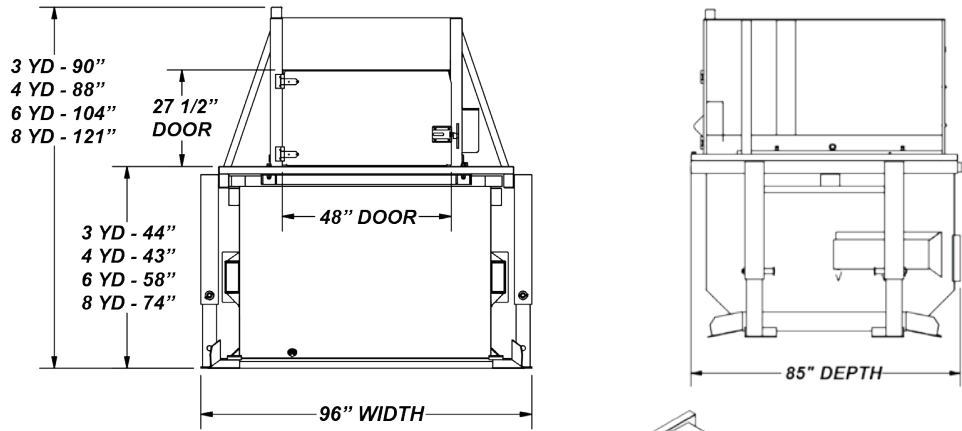
*Use of an oil heater or extreme cold weather hydraulic oil is recommended in extreme cold conditions.

NOTE: Single phase operation will result in variations in hydraulic pressure, overall force, and cycle time.

OPTIPAK VERTICAL COMPACTORS

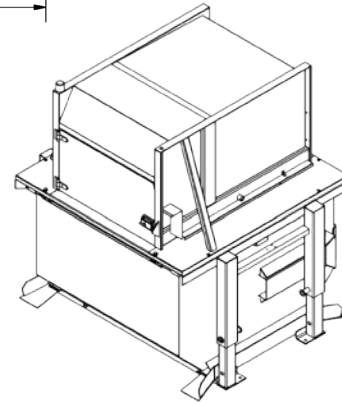
Standard Features

- Driver Light to indicate when the container is safe for the driver to remove it
- Full container light
- Magnetic Interlock preventing operation if door is open
- Operational and service manual
- Built-in stops that hold the container in place
- Adjustable Legs (4-8 yard)



Optional Features

- Chute extension
- Loading platform with safety rail
- Through the wall installation
- Oil Heater
- Automatic odor suppression system
- Biodegradable oil
- Single phase operation available



SPECIFICATIONS [] indicates single phase information

Charge Box

- Wastequip rating: 0.5 cu. yds.
- Wastec rating: 0.42 cu. yds.
- Compactor weight with stand and container
- 3,340 lbs. (3-yard)
- 3,540 lbs. (4-yard)
- 3,740 lbs. (6-yard)
- 3,940 lbs. (8-yard)

Compactor Head

- Sides: 11-gauge, (2) 83-1/2" W x 19" H
- Top deck: 11-gauge, (2) 83-1/2" W x 21" Ht

Ram

- Ram height: 36"
- Ram penetration: 18.00"
- Face plate: 7-gauge, 48" W x 36" H
- Base plate: 7-gauge, 47-1/2" W x 36"
- Side plates: 7-gauge, 36" W x 19-11/16" H

Electrical

- Motor: 3hp TEFC housing [2hp]
- Voltage: 208/230/460, 3-phase 60 Hz [115/208/230]
- Power box: UL rated, TEFC housing
- Automated cycle operation: turn-key switch-ram extends, retracts and stops automatically
- Push button activated automatic cycle

Hydraulic Performance

- Pump: 2.8 gpm [1.8 gpm]
- Pump type: Gear
- Hydraulic oil tank: 8.7 gallon reservoir
- Cylinder bore/rod/stroke: 4" bore, 2" rod 16" stroke
- Normal ram face pressure: 25,100 psi [20,700 psi]
- Maximum ram face pressure: 26,400 psi [20,700 psi]
- Normal ram psi: 2,000 [1650]
- Maximum ram psi: 2,100 [1650]
- Cubic yard per hour: 49 cu. yd./hr.
- Power unit location internal
- Cycle time: 30 seconds [50]

Applications: Grocery Store Motel Restaurant

Wastebuilt

Replacement parts available online at www.wastebuilt.com

Standard Color Choices*



Colors shown are as accurate as printing allows. The actual color is subject to variation from the printed color sample. Color choices vary by plant location. Please contact your local sales representative for available colors. Custom colors are available upon request and are subject to an additional charge.

USER-FRIENDLY CONTROLS MAKE COMPACTING EASY AS 1-2-3



1) LOAD TRASH



2) KEY IN "ON" POSITION



3) PUSH "START" BUTTON



IDEAL FOR

MALLS



RETAIL ESTABLISHMENTS



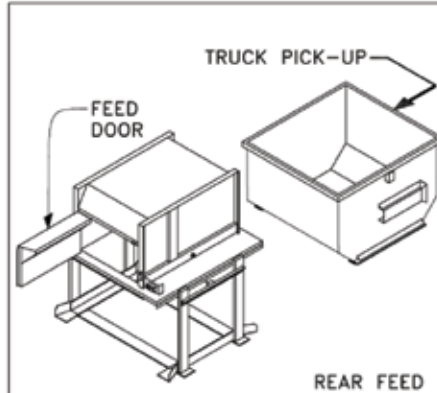
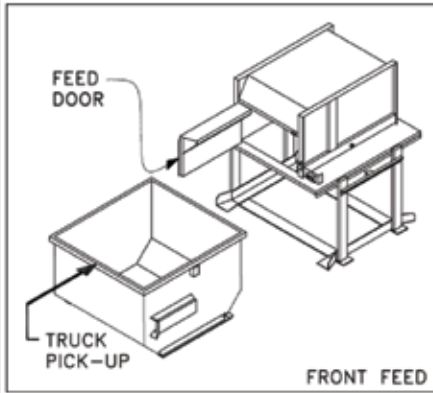
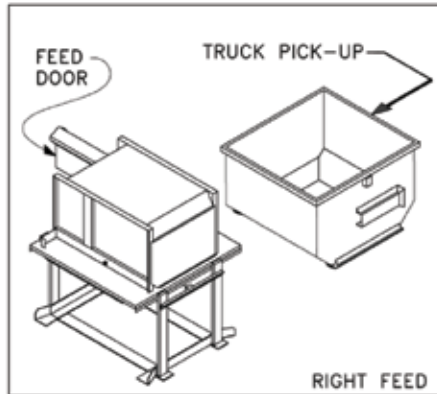
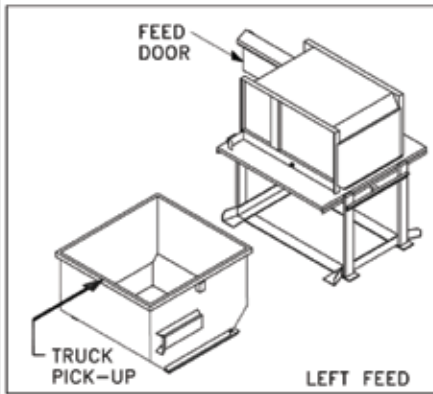
RESTUARANTS



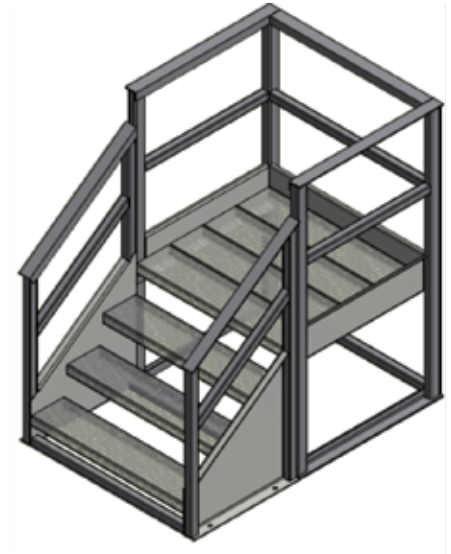
HOW WE MEASURE UP AGAINST THE COMPETITION

Value-Added Standard Features	Wastequip Guardian Control System	Competitor A	Competitor B
Multiple Operational Modes	✓		
Automatic maintenance alerts	✓		
NEMA 4 rated control panel	✓		
Push button start	✓		
Low Temperature Oil	✓		✓
Watch dog timer	✓	✓	
24 volt controls	✓		✓
Programmable logic controller	✓	✓	✓
Full light	✓	✓	

CONFIGURATIONS AND OPTIONS



STANDARD SETUP CONFIGURATION OPTIONS



CO411 - STAND FOR 8 YD UNIT

NOTES



Tel: 877.468.9278 | sales@wastequip.com | www.wastequip.com

Wastequip is the leading North American manufacturer of waste and recycling equipment for collecting, processing and transporting recyclables and solid or liquid waste. December 2016 © Wastequip, all rights reserved. Specifications subject to improvement without notice. Equipment displayed should be operated by properly trained personnel. Operators should become familiar with OSHA, ANSI and any other applicable standards or laws for using this equipment. Improper use, misuse, or lack of maintenance could cause injury to people and/or property. Photos used in the literature are illustrative only. We assume no liability or responsibility for proper training/operation of equipment not manufactured by Wastequip. We reserve the right to make changes at any time without notice. Information contained within this literature is intended to be the most accurate available at time of printing.