

SLUDGE CONTAINERS

Round Bottom Style

Wastequip's line of sludge containers is designed for collecting, storing and transporting a variety of sludges and waste products.

- Suitable for a variety of contaminated liquids as well as hazardous soils/mud, fly ash, filter cake, car wash grit
- Industries include manufacturing facilities, spill sites, construction sites, refineries, mines and more



Round bottom style

Value Added Benefits

Durable	<ul style="list-style-type: none">• Outside rail understructure• 1/4" floor, 7 gauge sides• 6" x 2" x 1/4" tubing long sills• 4" x 3" x 3/16" rectangular tubing top cap• Continuous inside welds• 8" OD front and rear rollers• Flat front• Vented to prevent implosion during unloading
Quality	<ul style="list-style-type: none">• One year warranty
Fully sealed	<ul style="list-style-type: none">• Hydro tested against leakage• Gasketed rear door with T-box seal• EPDM door seal• 4 door ratchets-2 on rear door, one each on sidewall• Rear door side hinged• Adjustable latches and hinges provide a full seal



Rectangular style

SLUDGE CONTAINERS

Round Bottom Style

Aluminum Side-to-side Rolling Lid



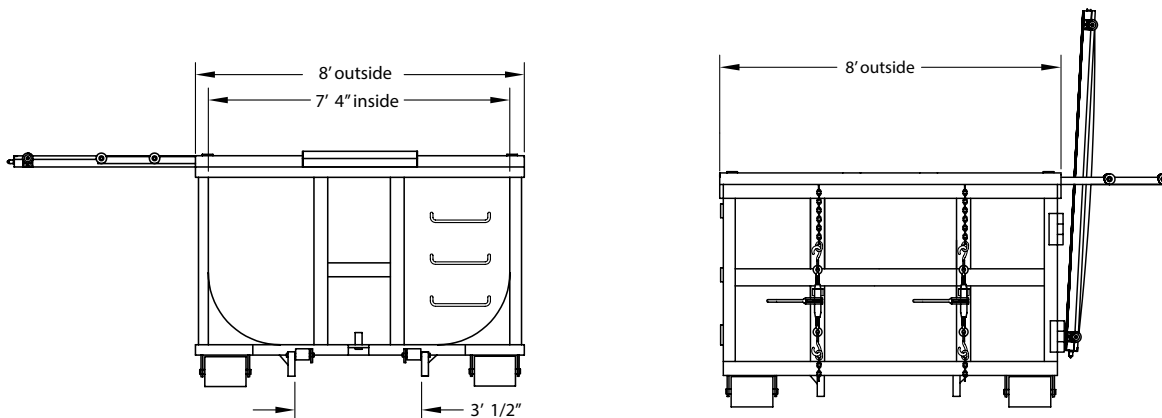
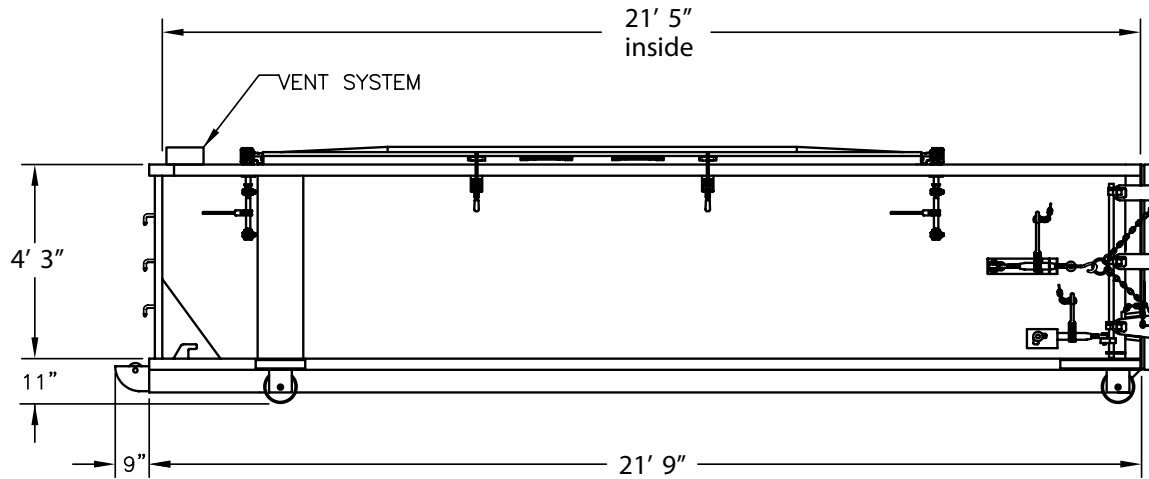
Patented lid design

Construction

- Lid is formed of 0.080 gauge aluminum
- Fold down lid rolls and opens to either side of container

Opening and loading

- Spring-assisted 14 ft. lid for easy one-person operation
- Spring retainers hold lid open
- Vacuum pressure release eases lid opening
- Slight taper on lid surface prevents water collection



SLUDGE CONTAINERS

Round Bottom Style

Steel Split Rolling Lid



25 yard model



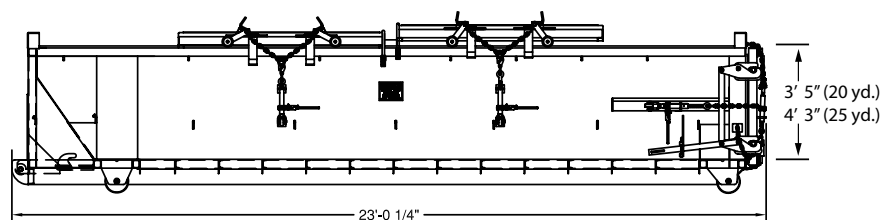
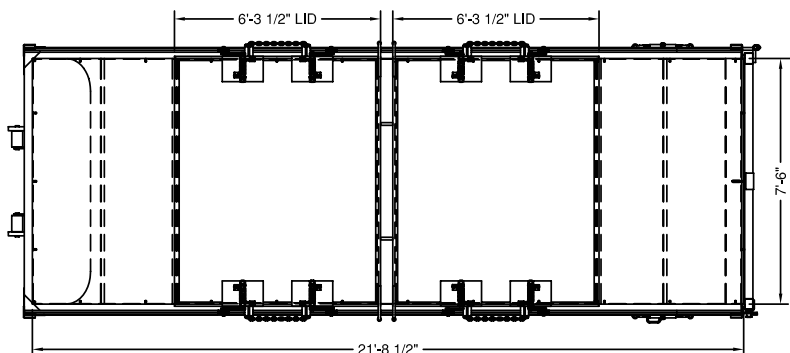
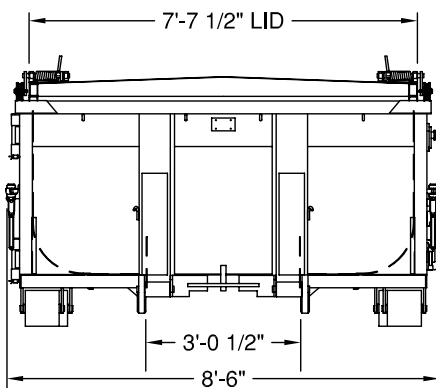
Lid opens in 7.5'W x 6.1'L sections

Construction

- Neoprene foam around perimeter of lid provides vapor tight seal
- Lid is formed of 12 gauge steel
- Slight taper is built into lid to eliminate water collection

Opening and loading

- Two-piece, end-to-end rolling lid
- Vacuum pressure release eases lid opening
- Spring loaded lids for easy release and greased wheels make the lids easy to slide open



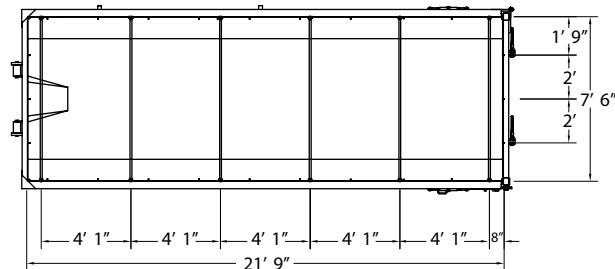
SLUDGE CONTAINERS

Round Bottom Style

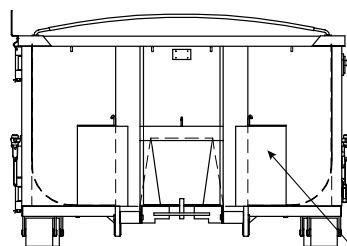
Tarped Container



Round bottom style with side-to-side tarp
(optional aluminum placard shown)

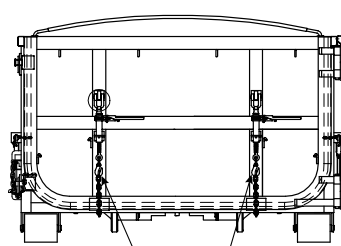


Top



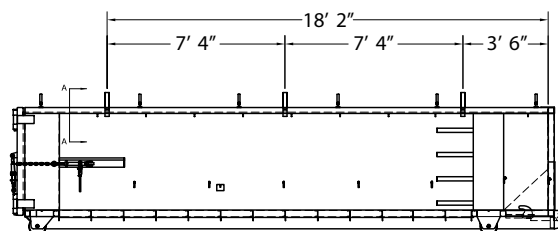
Front

Push plate (optional)



Rear door

Ratchets



Side

NOTE: Container also available in rectangular model

Container weights (lbs.) with lid options

Size	Open top	With Tarp
20 yard	5,655	5,885
25 yard	6,125	6,355



Replacement parts
available online at
www.gotoparts.com

Available options

- Front rollers*
- Drains and valves
- Dewatering shell
- Placard holders
- Custom configurations - lid styles, understructures, gauge of steel
- Push plates

* Optional on rectangular models (standard on round bottom style)

Standard Color Choices



Colors shown are as accurate as printing allows. The actual color is subject to variation from the printed color sample. Color choices vary by plant location. Please contact your local sales representative for available colors. Custom colors are available upon request and are subject to an additional charge.



Tel: 877.468.9278 | sales@wastequip.com | www.wastequip.com

Wastequip is the leading North American manufacturer of waste and recycling equipment for collecting, processing, and transporting recyclables and solid or liquid waste. ©Wastequip. All rights reserved. Specifications subject to improvement without notice. Equipment displayed should be operated by properly trained personnel. Operators should become familiar with OSHA, ANSI, and any other applicable standards or laws for using this equipment. Improper use, misuse, or lack of maintenance could cause injury to people and/or property. Photos used in the literature are illustrative only. We assume no liability or responsibility for proper training/operation of equipment not manufactured by Wastequip. We reserve the right to make changes at any time without notice. Information contained within this literature is intended to be the most accurate available at time of printing.