

ROLL-OFF LIQUID STORAGE

SW-10 Mini Frac Tank

Wastequip frac tanks are hydro tested to ensure safe storage of liquids

Wastequip frac tanks are ideal for on-site storage of liquid waste. Frac tanks are designed to safely store liquids including run-off water, diesel fuel, glycol, oils, waste products and more for manufacturing facilities, construction site and wastewater treatment facilities, among others.

Frac tanks are easily hauled using a roll-off truck or trailer. Available in a variety of models and sizes, Wastequip has frac tank to suit your liquid storage needs. We can also customize a frac tank for a specific application.



Patent Number D577178

Applications

Chemical storage, ground water storage, de-icing fluid Chemical, drill sites, airports storage

Industries

Chemical, drill sites airports

Specifications

Capacity	9,600 gallons
Dimensions	23' overall length 8' 6" overall height 96" width
Construction	1/4" A36 steel (2) 4" blind flanges front and rear (corners) Outside main rails: 10" structural; channel Interior walls: smooth
Performance	Hydro tested

Access	Ladder on front (2) 24" manways, one on one side and one on top
Clean out	(1) 4" drain located on the front or rear (corners) Flanges and drains can be located per customer specification
Relief valve	(1) Blaylock pressure / vacuum valve on top
Weight	14,500 lbs.

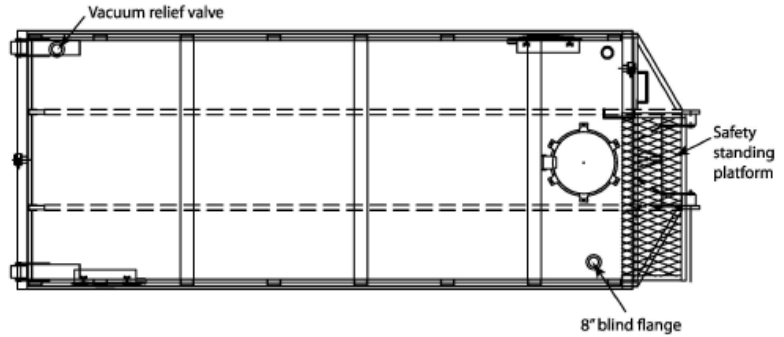
ROLL-OFF LIQUID STORAGE

SW-10 Mini Frac Tank

Available Options

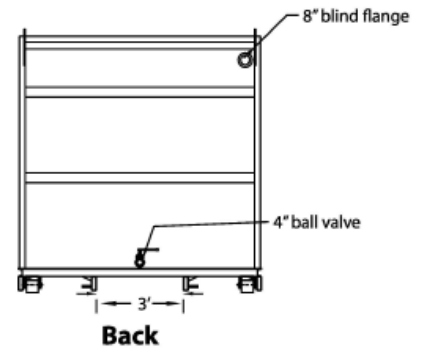
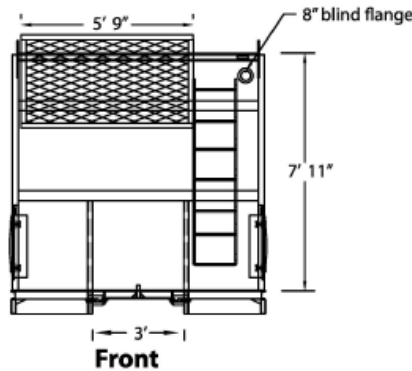
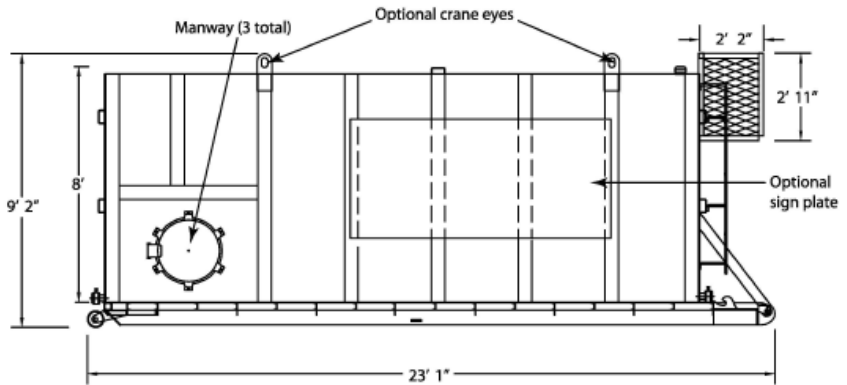


Staircase on front



Additional Options

- Open top model
- Blind flanges, valves, manways and drains can be added
- CarbolinePlasite 4500 interior
- Valspar urethane exterior
- Blasted inside



Replacement parts available online at www.gotoparts.com.

Standard Color Choices*



Colors shown are as accurate as printing allows. The actual color is subject to variation from the printed color sample. Color choices vary by plant location. Please contact your local sales representative for available colors. Custom colors are available upon request and are subject to an additional charge.



Tel: 877.468.9278 | sales@wastequip.com | www.wastequip.com

Wastequip is the leading North American manufacturer of waste and recycling equipment for collecting, processing and transporting recyclables and solid or liquid waste. December 2016 © Wastequip, all rights reserved. Specifications subject to improvement without notice. Equipment displayed should be operated by properly trained personnel. Operators should become familiar with OSHA, ANSI and any other applicable standards or laws for using this equipment. Improper use, misuse, or lack of maintenance could cause injury to people and/or property. Photos used in the literature are illustrative only. We assume no liability or responsibility for proper training/operation of equipment not manufactured by Wastequip. We reserve the right to make changes at any time without notice. Information contained within this literature is intended to be the most accurate available at time of printing.