

STATIONARY COMPACTORS



265X SHORT PACK

The 265 Short Pack is a powerful, stationary compactor designed for areas where space is limited.



Features & Benefits

Space saving design

- Only 66 3/4" in length for maximum space savings

Powerful and durable

- 1/2" floor plate and 1/2" ram bottom extend the life of the compactor
- 49,700 lbs. of force maximizes compaction

Easy to load

- Crossed cylinder design and extended rear feed allow unit to be loaded from a dock door

Ease of ownership

- Purchase, rental and leasing programs available

Warranty

- 3-1-1 warranty is a 3 year structural, 1 year parts and 1 year labor warranty



Powered by the Guardian Control System

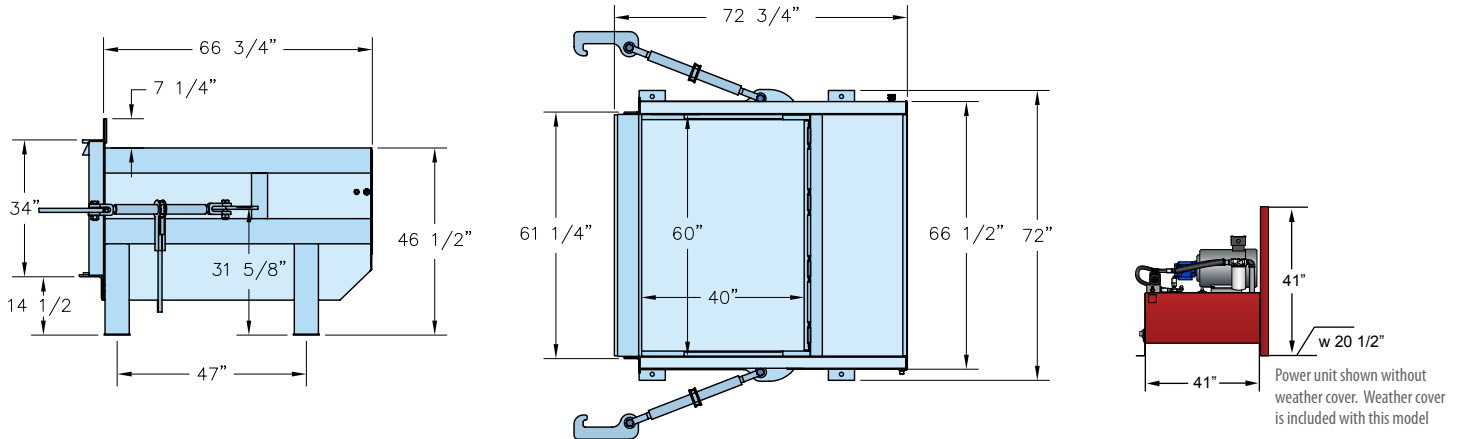
- Automatic Maintenance Scheduler (AMS) alerts the operator when preventative maintenance is due
- Prevents motor burnout with its dual Watchdog timers
- Eliminates unnecessary hauls due to false full readings

- Enhances operator safety by reducing electrical shock hazard with its low DC voltage controls
- Provides component protection from the elements with its NEMA 4 enclosure



STATIONARY COMPACTORS

265X SHORT PACK



STANDARD

- 1/2" thick ram floor
- 32 second cycle time
- Remote 24V control key station on 15' cord
- Full container light
- Low temperature oil
- Multi-cycle timer
- NEMA 4 control panel protects against windblown dust, splashing water and hose-directed water
- Operational and service manual
- Primed and painted in several colors

OPTIONS

- Advance warning light
- Pressure gauge - numeric and color coded
- Guide rails with stops
- Oil heater
- Photo electric eye
- Odor control system
- Container lifter
- 575 VAC available
- Single phase available



Replacement parts available online at www.gotoparts.com.

CHARGE BOX

- Wastequip rating - 2.00 cubic yards
- Wastec rating - 1.33 cubic yards
- Clear top opening - 40" Length x 60" Width

RAM

- Face plate - 1/2" steel with 5/8" stiffener plates
- Base plate - 1/2" flat bar with 3" structural channel
- Top plate - 1/4" steel plate with 5" x 3-1/2" x 1/2" angle support
- Side plates - Framed with 3" structural channel
- Ram height - 26.00"

COMPACTOR HEAD

- Floor - 1/2" with two 6" channel supports
- Sides - 1/4" side plates with 6" x 3" formed steel stiffener
- Top rail - 6" x 3" x 3/16" tube
- Breaker bar - 6" x 6" x 3/4" angle steel
- Top deck - 12 gauge steel (standard)

ELECTRICAL

- Electric motor - 10 hp TEFC (Totally Enclosed Fan Cooled)
- Voltage - 208/230/460, 3 phase, 60 Hz
- Power box - Guardian NEMA 4 rated, UL listed
- Operator control station - NEMA 4 rated 24 volt
- Automated cycle operation - turn key switch-ram extends, retracts and stops automatically

HYDRAULIC SPECIFICATIONS

- Pump - 11.7 gpm
- Ram penetration - 10"
- Cycle time - 32 seconds
- Hydraulic cylinders - 2, 4.5" bore
- Cylinder rod - 2.5"
- Hydraulic oil tank - 20 gallon reservoir
- Power unit location - remote

HYDRAULIC PERFORMANCE

- **Ram face pressure**
 - Normal - 40,000 lbs.
 - Maximum - 49,700 lbs.

- **Operating pressure**
 - Normal - 25.00 psi
 - Maximum - 40.51 psi

- **Ram psi pressure**
 - Normal - 1,850 psi
 - Maximum - 2,300 psi

CONTAINER

- Heavy duty containers up to 40 cu. yds.
- Rated at 70,000 lbs.

Standard Color Choices*



Colors shown are as accurate as printing allows. The actual color is subject to variation from the printed color sample. Color choices vary by plant location. Please contact your local sales representative for available colors. Custom colors are available upon request and are subject to an additional charge.



Tel: 877.468.9278 | sales@wastequip.com | www.wastequip.com

Wastequip is the leading North American manufacturer of waste and recycling equipment for collecting, processing and transporting recyclables and solid or liquid waste. December 2016 © Wastequip, all rights reserved. Specifications subject to improvement without notice. Equipment displayed should be operated by properly trained personnel. Operators should become familiar with OSHA, ANSI and any other applicable standards or laws for using this equipment. Improper use, misuse, or lack of maintenance could cause injury to people and/or property. Photos used in the literature are illustrative only. We assume no liability or responsibility for proper training/operation of equipment not manufactured by Wastequip. We reserve the right to make changes at any time without notice. Information contained within this literature is intended to be the most accurate available at time of printing.