

# STATIONARY COMPACTORS



## 265XP SHORT PACK

*The 265XP Short Pack is a powerful, stationary compactor designed for areas where space is limited.*



## Features & Benefits

### Space saving design

- Only 68" length for maximum space savings

### Loaded with standard features

- Full container light
- Multi-cycle timer
- Low temperature oil
- Thermometer and sight gauge

### Precision guided ram

- Glides smoothly above floor on UHMW guides
- Ram penetrates 7" into container to minimize springback

### Ease of ownership

- Purchase, rental and leasing programs available

### Warranty

- 3-1-1 warranty is a 3 year structural, 1 year parts and 1 year labor warranty



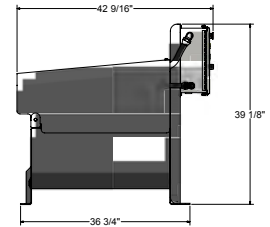
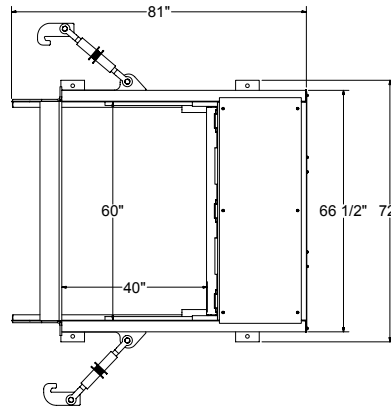
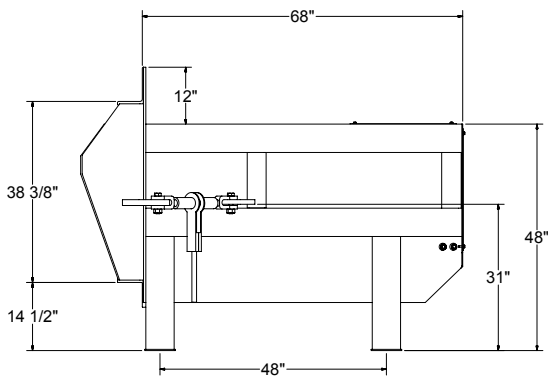
## Powered by the Guardian Control System

- Automatic Maintenance Scheduler (AMS) alerts the operator when preventative maintenance is due
- Prevents motor burnout with its Watchdog timer
- Eliminates unnecessary hauls due to false full readings
- Enhances operator safety by reducing electrical shock hazard with its low DC voltage controls
- Provides component protection from the elements with its NEMA 4 enclosure



# STATIONARY COMPACTORS

## 265XP SHORT PACK



Power unit shown with weather cover. Weather cover is included with this model.

### STANDARD

- 3/8" thick charge box floor
- 32 second cycle time
- Controls in panel face
- Full container light
- Low temperature oil
- AMS (Automatic Maintenance Scheduler)
- Multi-cycle timer
- NEMA 4 enclosure
- Operational and service manual
- Primed and painted in several colors

### OPTIONS

- Advance warning light
- Pressure gauge - numeric and color coded
- Guide rails
- Oil heater
- Photo electric eye
- Odor control system
- Container lifter
- 575 VAC available
- Single phase available

#### CHARGE BOX

- Wastequip rating - 2.00 cubic yards
- Wastec rating - 1.48 cubic yards
- Clear top opening - 40" Length x 60" Width

#### RAM

- 1/4" steel construction with engineered structural reinforcements and precision guided ram system

#### COMPACTOR HEAD

- Floor - 3/8" with two 5" channel supports
- Sides - 3/16" side plates
- Top rail - 6" x 3" formed steel stiffener
- Breaker bar - 6" x 8" x 3/4" angle steel
- Top deck - 12 gauge steel (standard)

#### ELECTRICAL

- Electric motor - 10 hp TEFC (Totally Enclosed Fan Cooled)
- Voltage - 208/230/460, 3 phase, 60 Hz
- Power box - NEMA 4 rated, UL listed
- Automated cycle operation - push start-ram extends, retracts and stops automatically

#### HYDRAULIC SPECIFICATIONS

- Pump - 11.7 gpm
- Ram penetration - 7"
- Cycle time - 32 seconds
- Hydraulic cylinders - 4" bore
- Cylinder rod - 2.5"
- Hydraulic oil tank - 20 gallon reservoir
- Power unit location - remote

#### HYDRAULIC PERFORMANCE

##### Ram force

- Normal - 40,700 lbs.
- Maximum - 45,000 lbs.

##### Ram psi

- Normal - 24 psi
- Maximum - 26 psi

##### Operating pressure

- Normal - 1,900 psi
- Maximum - 2,100 psi

#### CONTAINER

- Standard duty containers up to 40 cu. yds.
- Rated at 70,000 lbs.



Replacement parts available online at [www.gotoparts.com](http://www.gotoparts.com).

#### Standard Color Choices\*



Colors shown are as accurate as printing allows. The actual color is subject to variation from the printed color sample. Color choices vary by plant location. Please contact your local sales representative for available colors. Custom colors are available upon request and are subject to an additional charge.



Tel: 877.468.9278 | [sales@wastequip.com](mailto:sales@wastequip.com) | [www.wastequip.com](http://www.wastequip.com)

Wastequip is the leading North American manufacturer of waste and recycling equipment for collecting, processing and transporting recyclables and solid or liquid waste. December 2016 © Wastequip, all rights reserved. Specifications subject to improvement without notice. Equipment displayed should be operated by properly trained personnel. Operators should become familiar with OSHA, ANSI and any other applicable standards or laws for using this equipment. Improper use, misuse, or lack of maintenance could cause injury to people and/or property. Photos used in the literature are illustrative only. We assume no liability or responsibility for proper training/operation of equipment not manufactured by Wastequip. We reserve the right to make changes at any time without notice. Information contained within this literature is intended to be the most accurate available at time of printing.