

# STATIONARY COMPACTORS

245IP & 245IP-HD Precision Series 2-Yard Models

With our very own Guardian™ Control System and precision-guided ram, Wastequip's stationary compactors are ideal for handling dry waste.



Precision-guided ram engineered for improved performance and durability.



Easy-to-use 24-volt Guardian Control System (optional remote pendant shown)

## Guardian™ Control System

- New user-friendly controls
- Automatic Maintenance Tracking
- Superior 24-volt control
- NEMA 4 rated enclosure
- Remote power unit with weather protection cover

## Heavy-Duty Ratchet Binders

- 1-1/4" thick hooks
- Greasable fittings

## Precision-Guided Ram

- Glides smoothly above compactor floor on long-lasting UHMW guides
- 14" ram penetration minimizes spring-back of material

## Large-Access Openings for Maintenance and Service

- Removable rear panel
- Removable side panels

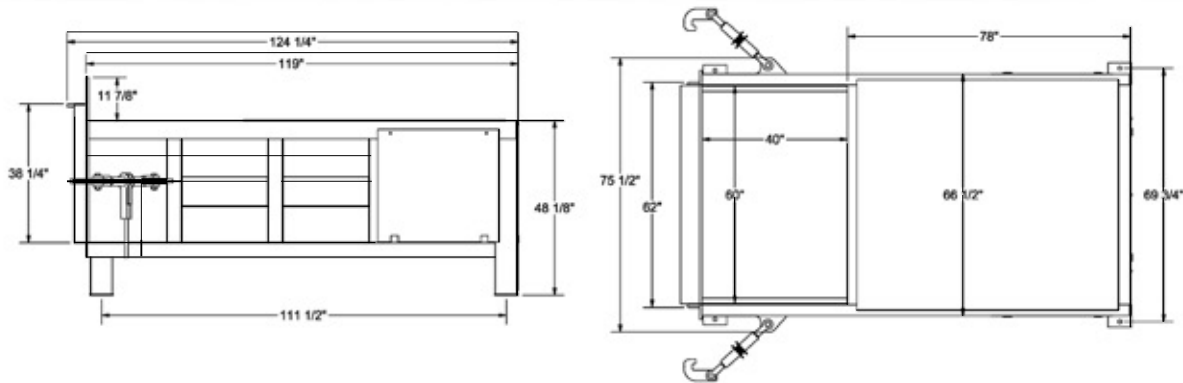


Heavy-duty ratchet binders with 1-1/4" thick hooks are standard.

\* Use of an oil heater or extreme cold weather hydraulic oil is recommended in extreme cold conditions.

# STATIONARY COMPACTORS

## 245IP & 245IP-HD Precision Series 2-Yard Models



### Standard Features

- Heavy-duty ratchet binders with 1-1/4" thick hooks
- Remote power unit with weather cover
- Controls in panel face
- 57-second cycle time
- Automatic Maintenance Tracking
- Full container light
- Low temperature oil
- Multi-cycle timer
- NEMA 4 control panel protects against windblown dust, splashing water, and hose-directed water
- Operational and service manual
- Primed and painted in several colors

### Optional Features

- Advance warning light
- Pressure gauge is color coded
- Guide rails with stops
- Oil heater
- Photo electric eye
- Odor control system
- Cart dumper

### Warranty

- 3-1-1 warranty (3-year structural, 1-year parts, 1-year labor)



Replacement parts available online at [www.gotoparts.com](http://www.gotoparts.com).

### Specifications

		245IP	245IP-HD*
<b>Charge Box</b>	Wastequip rating	2.00 cu. yds.	
	Wastec rating	1.61 cu. yds.	
	Clear top opening	40" Length x 60" Width	39" Length x 60" Width
	Compactor weight with power unit	4,700 lbs.	4,800 lbs.
<b>Ram</b>	Ram height	30-1/2"	
	Ram penetration	14"	
	Face plate	1/2" steel with 3/4" stiffener plates	
	Base plate	3/8" steel plate with 10 ga. formed stiffeners	
	Top plate	1/4" steel plate with 10 ga. formed stiffeners	
	Side plates	1/4" formed plate	
<b>Compactor Head</b>	Floor	3/8" steel plate with channels at 12" spacing	
	Sides	1/4" steel plate sheets with 4" x 3" vertical stiffeners	Additional side stiffener
	Breaker bar	6" x 8" x 3/4" angled steel	Additional 1" breaker bar backer plate
	Top deck	12 gauge steel (standard)	
<b>Electrical</b>	Electric motor, fan cooled	10 hp	15 hp
	Voltage	208/230/460, 3 phase 60 Hz	
	Power box	UL rated, TEFC housing	
	Automated cycle operation	Push button start extends, retracts & stops automatically	
<b>Hydraulic Performance</b>	Pump	13.0 gpm	
	Pump type	Fixed gear	
	Hydraulic oil tank	25 gallon reservoir	
	Cylinder bore/rod/stroke	6" bore, 2.5" rod, 55" stroke	
	Normal ram face pressure	48,000 lbs at 1,700 psi	59,300 lbs at 2,100 psi
	Maximum ram face pressure	56,500 lbs at 2,000 psi	67,800 lbs at 2,400 psi
	Normal ram psi	26.23 psi	32.4 psi
	Maximum ram psi	30.87 psi	37.05 psi
	Cubic yard per hour	102	
	Power unit location	Remote	
Cycle time	57 seconds		

\* Specifications are the same as 245IP, except where indicated.

IPE model includes 1/2" compactor head floor

### Standard Color Choices



Colors shown are as accurate as printing allows. The actual color is subject to variation from the printed color sample. Color choices vary by plant location. Please contact your local sales representative for available colors. Custom colors are available upon request and are subject to an additional charge.



Tel: 877.468.9278 | [sales@wastequip.com](mailto:sales@wastequip.com) | [www.wastequip.com](http://www.wastequip.com)

Wastequip is the leading North American manufacturer of waste and recycling equipment for collecting, processing, and transporting recyclables and solid or liquid waste. ©Wastequip. All rights reserved. Specifications subject to improvement without notice. Equipment displayed should be operated by properly trained personnel. Operators should become familiar with OSHA, ANSI, and any other applicable standards or laws for using this equipment. Improper use, misuse, or lack of maintenance could cause injury to people and/or property. Photos used in the literature are illustrative only. We assume no liability or responsibility for proper training/operation of equipment not manufactured by Wastequip. We reserve the right to make changes at any time without notice. Information contained within this literature is intended to be the most accurate available at time of printing.