

FRONT END LOAD CONTAINERS



Steel Front End Load (FEL) Containers

Wastequip Front End Load Containers (FELs) are engineered using heavy gauge steel to withstand the stress of continued use. Standard models feature 12 gauge sides and 10 gauge bottoms, high density polyethylene lids and fully welded in-seams. Our heavy duty models have 10 gauge sides and 7 gauge bottoms for added strength and durability.

Containers are primed inside and outside to reduce corrosion. Wastequip containers meet ANSI safety specifications and dimensional standards for haulers. With locations throughout North America, Wastequip can meet your container needs quickly.

Styles: Flat, slant, hatchback and nestable (slant and flat)

Sizes: 2, 3, 4, 6, 8, and 10 cubic yards



FEATURES

1) FORK POCKETS:

- 3-way flared fork pockets protect from damage by the trucks forks and easily guides forks into the pockets
- Taco gussets welded to the bottom of the fork pockets help extend pocket life by providing added strength to the bottom of the pockets
- Fully welded pockets at critical stress points reduce fork damage and ensure long service life

2) CONSTRUCTION:

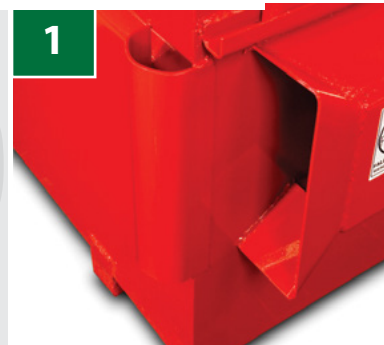
- Rounded bumper pads help prevent damage to the front of the container
- Floor channels are capped at both ends to prevent debris from getting inside and extend up the front and back walls to create extra support

2) CONSTRUCTION (CONT'D):

- Fully welded no-step gusset across the top of the fork pocket provides added safety and support
- Top edges are rounded and smooth for added safety during customer loading
- Interlocking top channel frame provides added strength
- Primed inside and outside to reduce corrosion
- Painted in one of several standard colors
- Nestable 2, 3 & 4 yard containers reduce shipping costs and required storage space

3) LIDS:

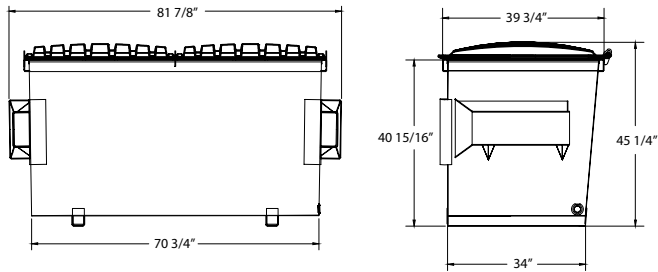
- Single wall, double lip lids ensure durability
- Optional lids upon request



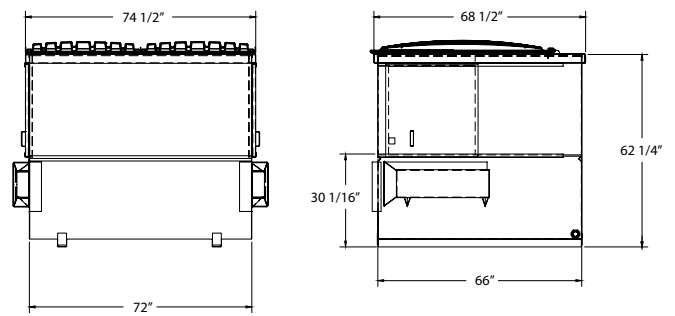
FRONT END LOAD CONTAINERS

FLAT TOP

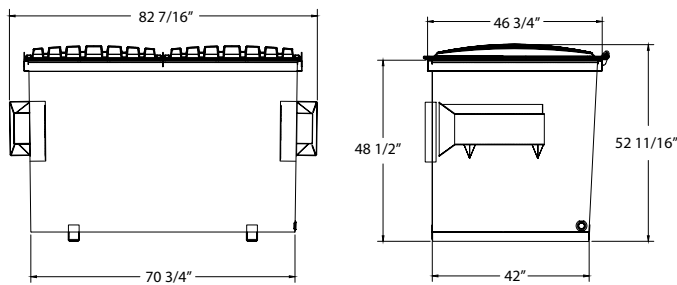
2 YARD FLAT NESTABLE



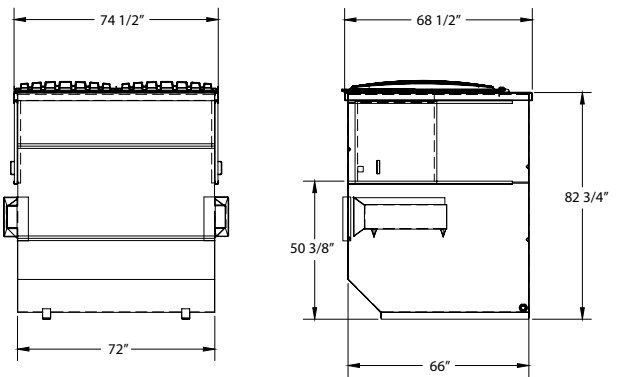
6 YARD FLAT



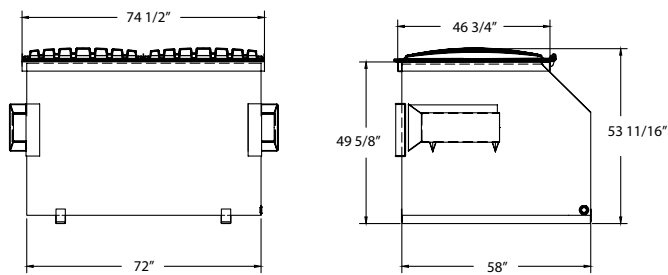
3 YARD FLAT NESTABLE



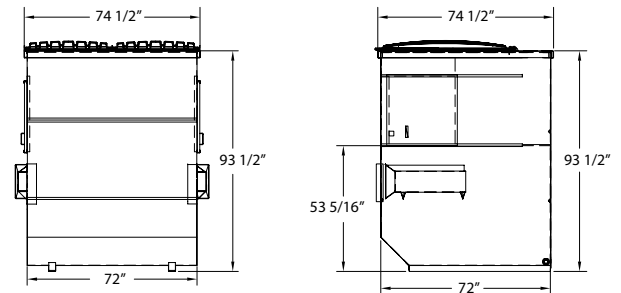
8 YARD FLAT



4 YARD FLAT



10 YARD FLAT



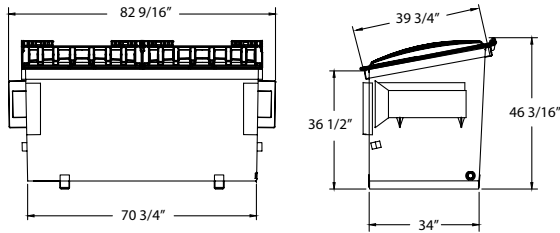
	2 YARD*	3 YARD*	4 YARD	6 YARD	8 YARD	10 YARD
48 ft. trailer flat / drop	42 / 52	28 / 36	18 / 18	8 / 14	8 / 8	7 / 7
53 ft. trailer flat / drop	45 / 57	32 / 42	20 / 20	9 / 16	9 / 9	8 / 8
Plastic lid standard	37" x 41" single wall	37" x 48" single wall	37" x 48" single wall	37" x 58" single wall	37" x 58" single wall	37" x 58" single wall
Sides	12 gauge	12 gauge	12 gauge	12 gauge	12 gauge	12 gauge
Bottom	10 gauge	10 gauge	10 gauge	10 gauge	10 gauge	10 gauge
Weight	505 lbs.	602 lbs.	732 lbs.	971 lbs.	1,110 lbs.	1,543 lbs.

* Nestable

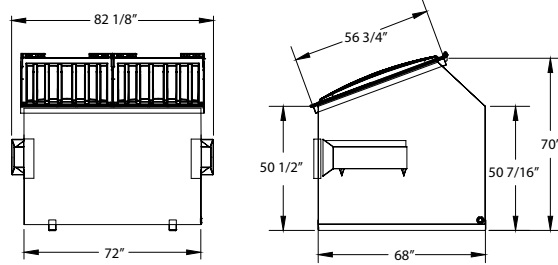
FRONT END LOAD CONTAINERS

SLANT TOP

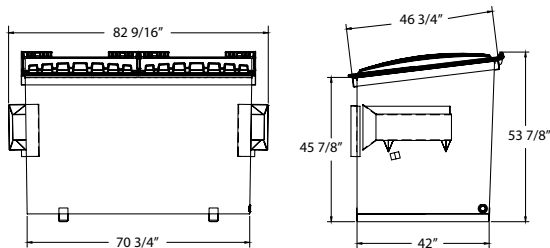
2 YARD SLANT NESTABLE



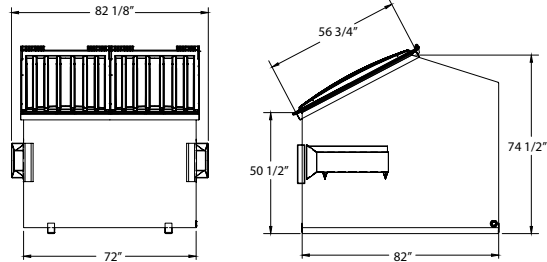
6 YARD SLANT



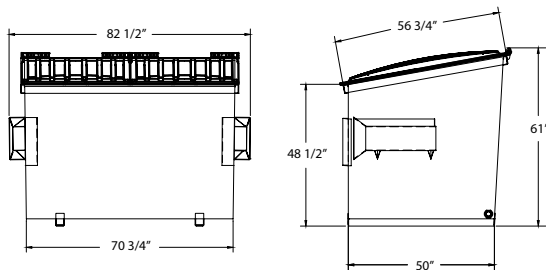
3 YARD SLANT NESTABLE



8 YARD SLANT



4 YARD SLANT NESTABLE



	2 YARD*	3 YARD*	4 YARD*	6 YARD	8 YARD
48 ft. trailer flat / drop	42 / 52	24 / 33	20 / 28	8 / 14	7 / 7
53 ft. trailer flat / drop	48 / 60	26 / 36	22 / 31	9 / 16	8 / 8
Plastic lid standard	37" x 41" single wall	37" x 48" single wall	37" x 58" single wall	37" x 58" single wall	37" x 58" single wall
Sides	12 gauge	12 gauge	12 gauge	12 gauge	12 gauge
Bottom	10 gauge	10 gauge	10 gauge	10 gauge	10 gauge
Weight	504 lbs.	608 lbs.	709 lbs.	900 lbs.	1,103 lbs.

* Nestable

Standard Color Choices



Colors shown are as accurate as printing allows. The actual color is subject to variation from the printed color sample. Color choices vary by plant location. Please contact your local sales representative for available colors. Custom colors are available upon request and are subject to an additional charge.



Tel: 877.468.9278 | sales@wastequip.com | www.wastequip.com

Wastequip is the leading North American manufacturer of waste and recycling equipment for collecting, processing, and transporting recyclables and solid or liquid waste. © Wastequip. All rights reserved. Specifications subject to improvement without notice. Equipment displayed should be operated by properly trained personnel. Operators should become familiar with OSHA, ANSI, and any other applicable standards or laws for using this equipment. Improper use, misuse, or lack of maintenance could cause injury to people and/or property. Photos used in the literature are illustrative only. We assume no liability or responsibility for proper training/operation of equipment not manufactured by Wastequip. We reserve the right to make changes at any time without notice. Information contained within this literature is intended to be the most accurate available at time of printing.